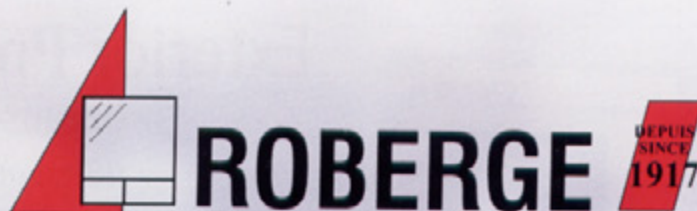


GP 100 SERIES

Horizontal | Single Hung Sliders

**Evolution**  
S E R I E S  
Window System



# The Product of Progress

Distinctive Elegance, Perfected Performance

## The EVOLUTION SERIES

is an elegant, high performance window system designed to enhance the appearance and energy efficiency of any home.



**INSPIRATION + INGENUITY = EVOLUTION**

Evolution happens over time. Species adapt and improve. Like nature itself, the EVOLUTION SERIES brings together inspired design, technical ingenuity and generations of expert craftsmanship. This innovative PVC window system has been engineered utilizing advanced European technology, meeting the exacting standards of North America's retrofit and new home markets. Complement your home with the enlightened features of the EVOLUTION SERIES window system.

[www.roberge1917.com](http://www.roberge1917.com)

# Exterior Profile Installation Options... because every situation is different.

The EVOLUTION SERIES window system manufactures a variety of exterior profiles. When reviewing the installation method that works best for you, consideration should be given to the placement of the window in relation to the interior plane of the wall. Surface temperatures of the glass or frame can be affected by the location of the window. Setting the unit towards the inside allows the room heat to increase the inside surface temperature of the glass and protect the exterior of the unit from the outside elements. This allows for optimum thermal performance and reduces the risk of condensation.



## Common characteristics for GP 100 Slider System

2 styles of frames:

**3 1/4" frame – no brickmould for modular construction**

**3 3/8" frame – c/w brickmould built in**

**4 1/2" frame – no brickmould for modular construction**

*Built in 1/2" and 3/4" drywall rebates for maximum versatility in interior finishing*

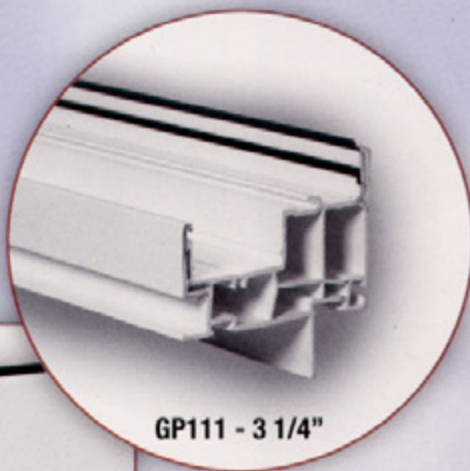
Test Results A440-98:

**Single hung** A 3/F, B7, C3

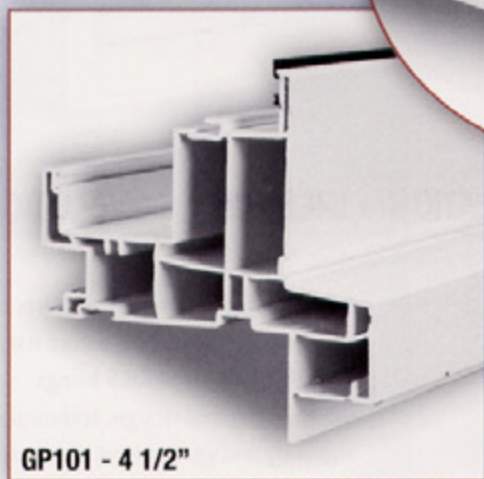
**Horizontal Slider** A 3/F, B3, C3, C5\*

\* with steel reinforcing

- Triple weatherseals for maximum sealing performance
- Interior glazing for optimum security
- Frame with multiple non-conductive air chamber
- Multiple glass options:  
Low E (Argon) / heat mirror / tinted
- Frame and sash fusion welded
- Fixed mullion prevents forced entry
- Operating sash on single hung tilts in for ease of cleaning
- Enhanced seals at meeting rail provide maximum sealing performance



GP111 - 3 1/4"



GP101 - 4 1/2"

## Exclusive Lifetime Warranty

All PVC components of the EVOLUTION SERIES are protected by the Spartech Profiles Exclusive Warranty. For more information, please consult our warranty certificate.



Manufactured by:

Distributed by:



Every effort has been made to ensure that the information contained in this brochure is accurate. However, Spartech will not be responsible for errors or omissions and we reserve the right to revise or modify or replace any of our products without notice.

Printed in Canada

[www.roberge1917.com](http://www.roberge1917.com)

Designed and Extruded by:

